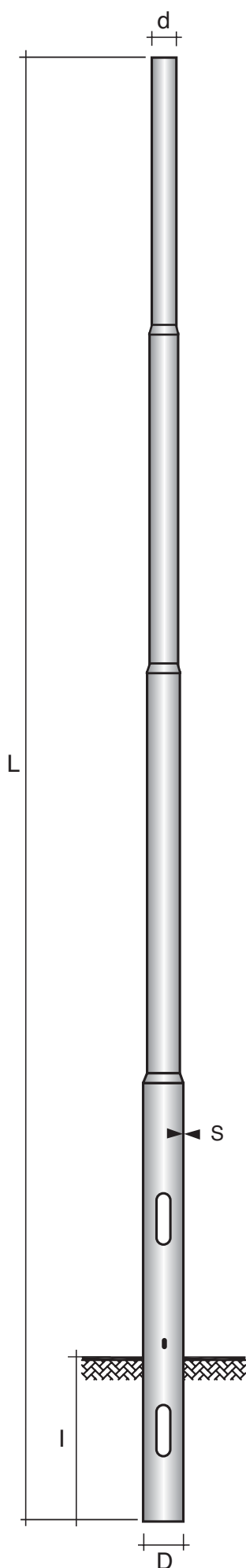


PALI PER ILLUMINAZIONE RASTREMATI

PALO RASTREMATO SALDATO DIRITTO

in acciaio S235 JRH (Fe 360b) UNI EN 10219, zincato a caldo secondo UNI EN ISO 1461; lavorazioni standard alla base (pag. 9)



articolo	L mm	l mm	s mm	D mm	d mm	vern. m ²	portella articolo	peso kg	conf. pz
4303	3.000	500	3	76	60	0,66	4300/1	15,0	1
4353	3.500	500	3	76	60	0,76	4300/1	17,5	1
4403	4.000	500	3	76	60	0,88	4300/1	20,0	1
4453	4.500	500	3	76	60	0,96	4300/1	22,5	1
4503	5.000	500	3	89	60	1,20	4300/1	27,0	1
4553	5.500	500	3	102	60	1,45	4300/1	35,0	1
4603	6.000	600	3	102	60	1,67	4300/1	38,0	1
4704	6.800	800	3	114	60x200	2,02	4301/2	50,0	1
4703	6.800	800	3	127	60x200	2,29	4301/2	56,0	1
4703/139	6.800	800	3	139	60x200	2,43	4301/2	60,0	1
4703/4	6.800	800	4/3	127	60x200	2,29	4301/2	65,0	1
4703/4-152	6.800	800	4/3	152	60x200	2,69	4301/2	85,0	1
4703/4-168	6.800	800	4/3	168	60x200	2,94	4301/2	90,0	1
4803	7.800	800	3	127	60x200	2,63	4301/2	63,0	1
4803/139	7.800	800	3	139	60x200	2,70	4301/2	68,0	1
4803/4	7.800	800	4/3	127	60x200	2,60	4301/2	72,0	1
4803/4-152	7.800	800	4/3	152	60x200	3,06	4301/2	91,0	1
4803/4-168	7.800	800	4/3	168	60x200	3,29	4301/2	98,0	1
4803/4-193	7.800	800	4/3	193	60x200	3,72	4301/3	111,0	1
4903	8.800	800	3	127	60x200	2,95	4301/2	65,0	1
4903/139	8.800	800	3	139	60x200	3,06	4301/2	69,0	1
4903/4	8.800	800	4/3	127	60x200	2,95	4301/2	78,0	1
4903/4-152	8.800	800	4/3	152	60x200	3,33	4301/2	98,0	1
4903/4-168	8.800	800	4/3	168	60x200	3,71	4301/2	105,0	1
4903/4-193	8.800	800	4/3	193	60x200	4,26	4301/3	124,0	1
4103	9.800	800	3	139	60x200	3,46	4301/2	78,0	1
4103/4	9.800	800	4/3	139	60x200	3,46	4301/2	88,0	1
4103/4-152	9.800	800	4/3	152	60x200	3,85	4301/2	110,0	1
4103/4-168	9.800	800	4/3	168	60x200	4,00	4301/2	119,0	1
4103/4-193	9.800	800	4/3	193	60x200	4,78	4301/3	132,0	1
41103	10.800	800	3	139	60x200	3,65	4301/2	84,0	1
41103/4	10.800	800	4/3	139	60x200	3,65	4301/2	94,0	1
41103/4-152	10.800	800	4/3	152	60x200	3,94	4301/2	115,0	1
41103/4-168	10.800	800	4/3	168	60x200	4,10	4301/2	127,0	1
41103/4-193	10.800	800	4/3	193	60x200	5,31	4301/3	149,0	1
41203/4	11.800	800	4/3	152	60x200	4,33	4301/2	121,0	1
41203/4-168	11.800	800	4/3	168	60x200	4,65	4301/2	133,0	1
41203/4-193	11.800	800	4/3	193	60x200	5,75	4301/3	149,0	1

A RICHIESTA POSSONO ESSERE PRODOTTI PALI CON LUNGHEZZE E DIAMETRI DIVERSI DA QUELLI INDICATI